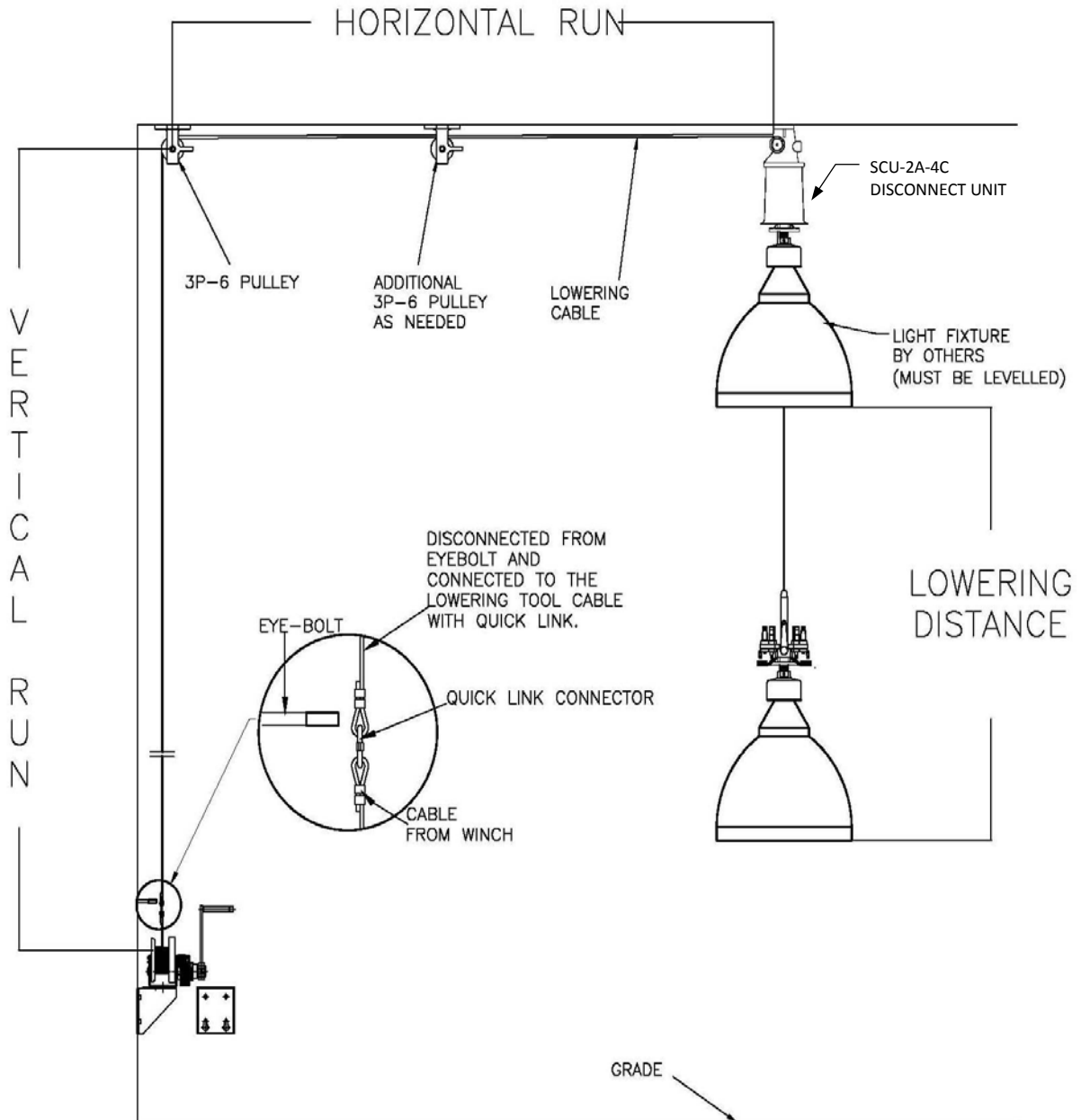


Portable Winch Exposed Cable System with Portable Lowering Tool\*



Details shown are intended as an application example only. Actual installation details may vary. Contact manufacturer's representative or factory for specific details about special installation application or other information. Lifting capacity is 400 lbs. and must not be exceeded.

The disconnect unit and pulleys must be mounted to a structure capable of supporting 5X the load of the fixture in the vertical and horizontal direction. Disconnect unit must be mounted to a support structure horizontally level on two 90 degree planes.

**The system can be used with inclined ceilings provided the horizontal support for the disconnect unit fulfills all the requirements above. Leveling the mounting surface must be done by others.**

\*Tool Sold Separately

\*\*Specifications subject to change without notice.

## Principal Components of this system:

- 1. SCU-2A-4C Electrical Disconnect Unit Assembly:** It comes with four electrical contacts plus one ground as standard. (Additional contacts are available) and includes fittings for surface mounting to a horizontal structure and flange/stem adapter for mounting the disconnect unit to the fixture. This system can be used with inclined ceilings provided the horizontal support for disconnect unit fulfilling all the above mentioned requirements is provided by others.
- 2. LB-1-SS Locking Eyebolt:** Type 316 stainless steel material, 3/8" eyebolt used as a 'Parking stand' for the lowering cable when the fixture is in the raised (resting) position. The eyebolt is located on a wall at the termination point of the cable.
- 3. SS4407-100 5/32" Stainless Steel Raising and Lowering Cable:** 5/32" dia. Type 316 Stainless Steel Aircraft Cable Assembly. Total cable length required is calculated as: Horizontal Run + Vertical Run +5 ft.
- 4. 3P-6-MAR Pulley:** (See details under mounting accessories)  
A 3P-6 pulley will guide the cable at a desired angle. Optional extra 3P-6 pulleys (order separately) are available and must be used at every 30' of horizontal straight cable run and for every change in direction of the cable to a different plane. Optional 3P-7 pulleys (ordered separately) is available to guide cable around obstructions on the same plane.

## Portable Lowering Tool:

**GB-2P-SSXX** Only one portable lowering tool is required per project (must be ordered separately). See lowering tool page for details of the GB-2P-SSXX.

## Electrical Disconnect Unit (SCU-2A-4C) Specification Guide:

- ❖ All hardware shall be corrosion resistant type 316 stainless steel.
- ❖ It shall have a self-aligning and self-adjusting mechanical system comprised of two principal assemblies: The fixed upper half and the movable lower half.
- ❖ The SCU-2A-4C cover shall be one-piece hydro-spun heavy gauge aluminum.
- ❖ The top pulley housing shall be made of heavy-duty cast 319 Alloy aluminum, with a stainless steel sheave containing a sintered bronze bearing. The top housing shall have a separate entrance for the electrical wire and a separate entrance for the lowering cable. The lowering cable shall pass through the center of the tracking post; travel on the sheave, and out the side of the housing. It shall have two mounting holes for top mounting.
- ❖ On the bottom of the SCU-2A shall consist of a heavy-duty cast 319 alloy aluminum flange with either a 3/4" external pipe thread or a 3/8" internal pipe thread to mount to the fixture, stem, or canopy. The electrical wires from the connector travel through the center of the casting down to the fixture.
- ❖ The SCU-2A-4C shall consist of four contacts with max capacity of eight. The unit shall be UL & CUL Listed with a maximum usage rating of 20 Amp for 120V, 15 Amp for 277/240/208V, 10 Amp for 480V, and 5 Amp for 600V per contact.
- ❖ All pulleys and Disconnect unit shall be mounted to a rigid, non-moveable structure. It must not be able to move from side to side during the raising and lowering operation.

## Specifications Guide

❖ The EDU shall have a 3-way tracking guide and support. It shall be constructed of precision cast high strength aluminum alloy 356-T6. A permanently fixed position piece incorporating a special tracking guide system permits the moveable portion of the *Disconnect Unit* to align in the same position every time the system is operated, thereby eliminating the need to re-orientate the fixture. The Electrical Disconnect Unit shall have **twin high strength stainless steel locking cams** securing the load of the *Lower Contact Assembly* and fixture. All tension on the cable is relieved when the fixture is in the raised position.

❖ The MULTI-CONTACT Connector assembly shall be modular for easy installation and retrofit requirements. The connector shall also have 4 size 12 contacts. Material of contacts shall be copper with nickel plating, and with gold plating over nickel per MIL-G-45204. Electrical contacts shall have a rating of 20 year mean time between failures. **All hardware shall be corrosion resistant stainless steel.** It shall have a self-aligning and self-adjusting mechanical system comprised of two principal assemblies:

*The UPPER CONTACT HALF* shall house the socket contacts. It shall incorporate spring assisted polymer contact body with precision-machined **stainless steel guideposts**. The socket contact body shall have integral guideposts for precise contact alignment.

*The LOWER CONTACT HALF* shall house the pin contacts comprised of spring assisted polymer contact body with precision-machined **stainless steel guidepost receivers**. The pin contact body aligns with guideposts of integral socket body guideposts.

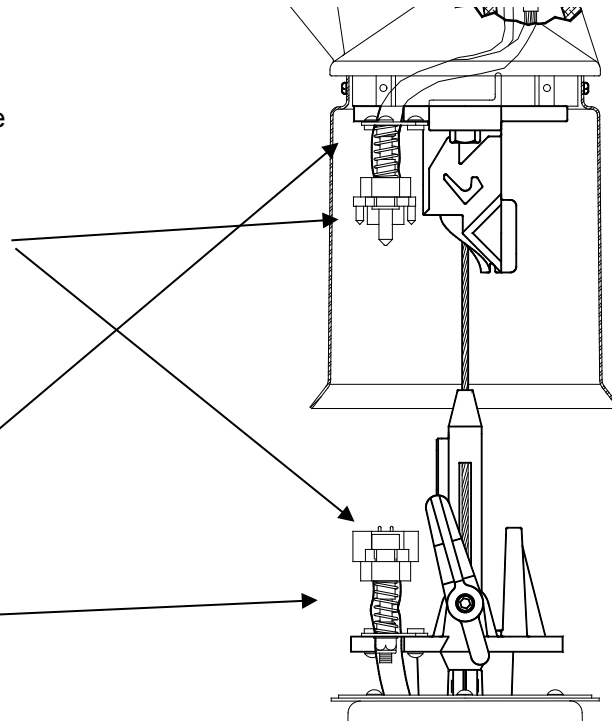
❖ **The wire leads are potted in Superflex® Black RTV Silicone**, an industrial grade sealant for bonding and sealing.

❖ The unit shall have a **guidepost constructed of precision cast high strength stainless steel**. It shall utilize a cast-in-place guide bar for precise alignment of *Lower Contact Assembly* with the fixed portion of the *EDU*.

❖ The **EDU shall have twin (2) tracking support arms made of precision cast high strength stainless steel**. When locked in the *3-Way Tracking Guide and Support* notches, the *Twin Tracking/Support Arms* shall hold the weight of the fixture and components and it shall remove all tension from the *Control Cable or Lowering Cable*.

❖ The lower contact assembly shall be constructed of precision **cast high strength aluminum alloy**. It shall feature a cast-in-place guide that mate with the fixed portion of the *Disconnect Unit* to aid in tracking and stability. **All hardware used on the Lower Contact Assembly as well as the entire Disconnect Unit shall be made of corrosion resistant stainless steel.**

❖ The disconnect unit shall have a **HOUSING SEAL** made up of a spun aluminum closure ring with a sealing gasket constructed of extra flexible polymer providing a weather-tight seal between *Lower Contact Assembly* and *Disconnect Unit Cover*. This provides a flexible environmental seal. Seal swipes and conforms to interior of cylinder housing during all operating stages of the disconnect unit.



U.S. Patent No.  
6,261,122



### Electrical Contact Rating:

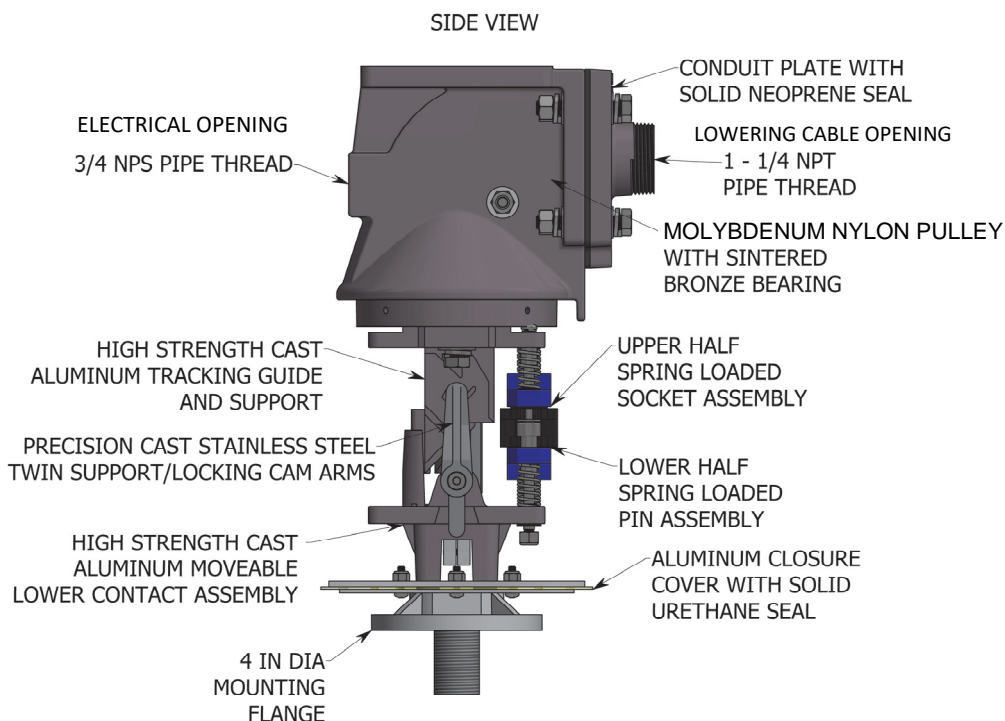
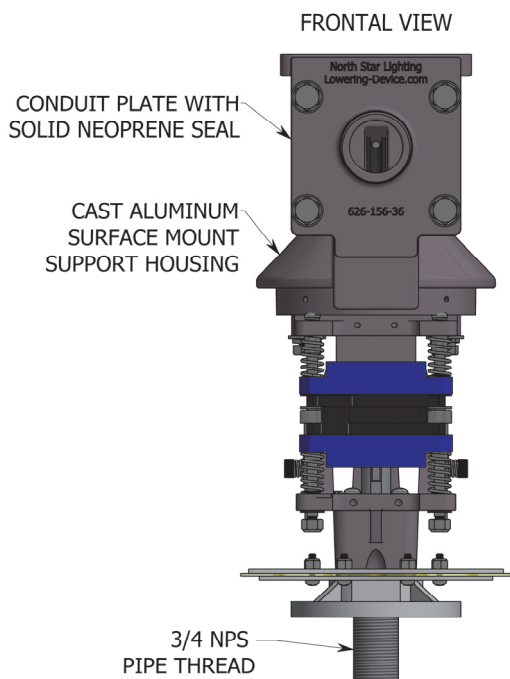
120V, 20 Amps per contact, (Multiple circuits)  
240V/277V, 15 Amps per contact (Multiple circuits)  
480V, 10 Amps (1 circuit max)  
600V, 5 Amps (1 circuit max)

### Suitable for Wet Location

**Mechanical Rating:** 400 lbs with 6:1 safety factor  
**Weight:** 8.5 LBS

SYSTEM DESIGNED SPECIFICALLY FOR USE WITH LIGHT FIXTURES, CAMERAS, AND RELATED EQUIPMENT ONLY.  
**NOT FOR LIFTING PEOPLE OR THINGS OVER PEOPLE.**  
SPECIFICATIONS SUBJECT TO CHANGE WITHOUT NOTICE.

**Specifications Guide**

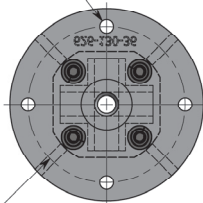


**FIXTURE MOUNTING FLANGE**



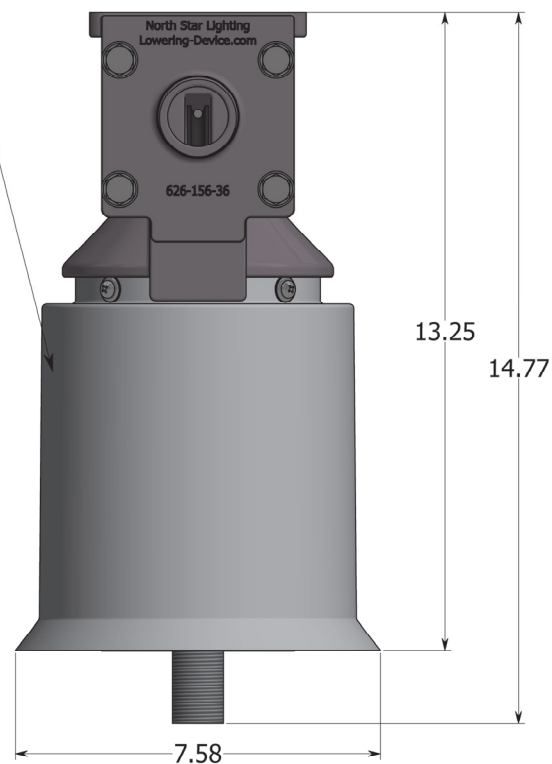
3/8 NPT INTERNAL PIPE THREAD

Ø.28 MOUNTING HOLES (4)



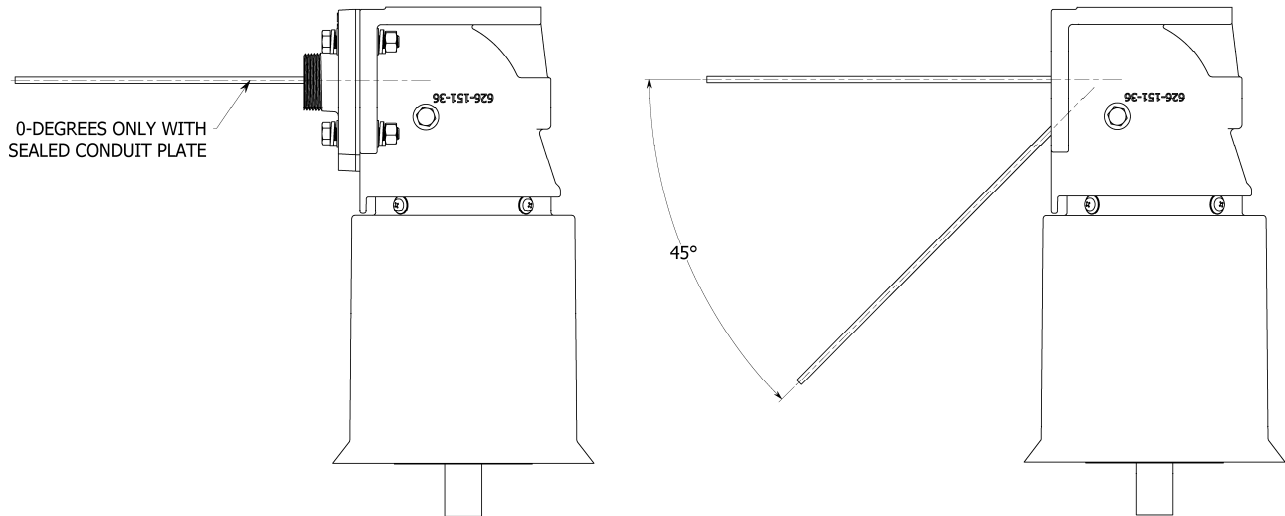
Ø3.25 IN MOUNTING HOLE DIAMETER

**SEAMLESS ALUMINUM ROUND COVER**



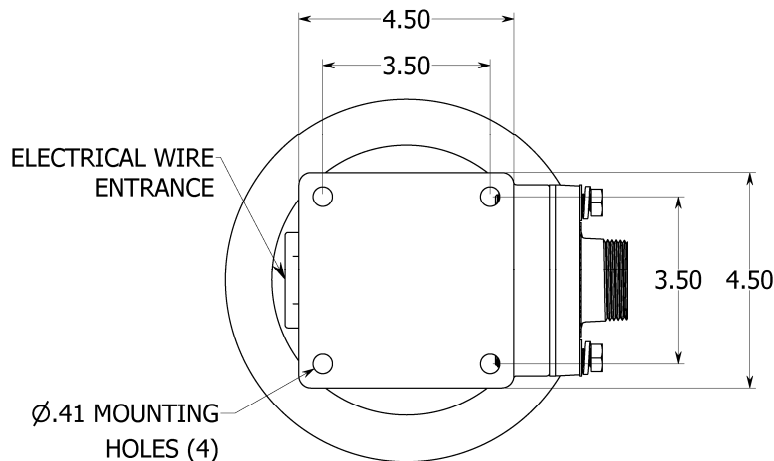
Options	Suffix
(4) Contacts (2 circuits)	-4C
(6) Contacts (3 circuits)	-6C
(8) Contacts (4 circuits)	-8C
3/8" Internal Pipe Thread Mounting	-38
Other mounting-consult factory	

### Cable Orientation Options:



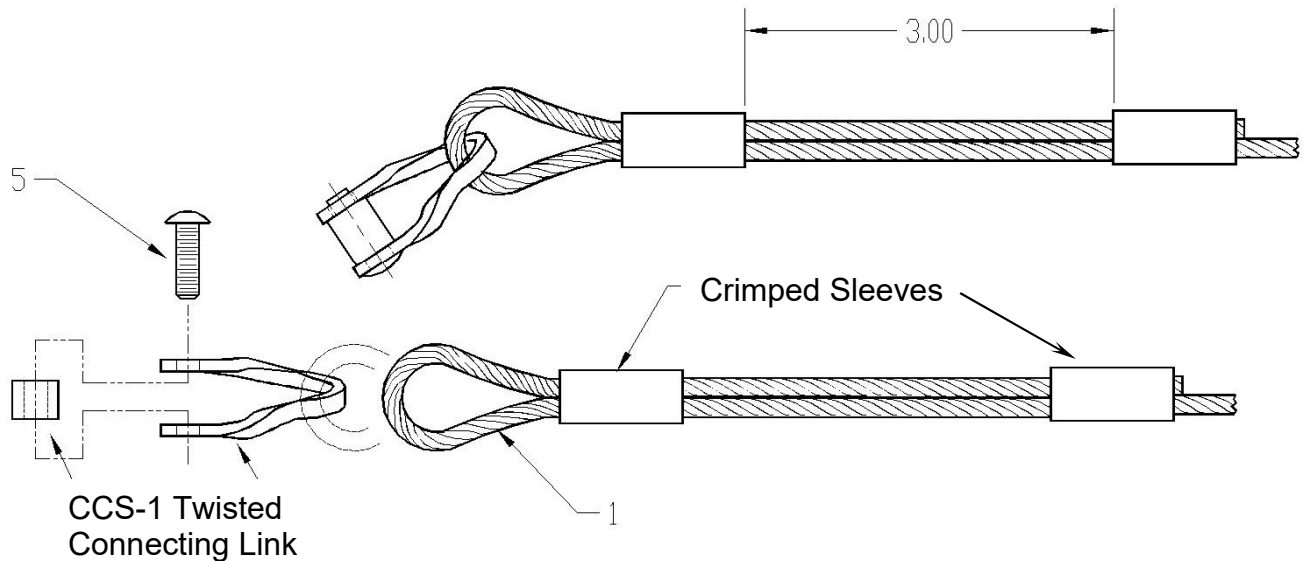
The disconnect unit allows the cable path orientation at an angle. The pulley installed in the upper casting attached to the disconnect unit guides the cable in the required orientation.

### Mounting Details:



The disconnect unit must be mounted on rigid horizontal support. This support must be approved by others to be able to withstand static and dynamic loading of at least 5 X the weight of the fixture in all directions. Unistrut mounting structure should not be used due to bending and flexing of the unistrut during the raising and lowering operation. Square center hole is optional. Please specify if required at the time of ordering.

### Specification Guide for CONTROL CABLE:

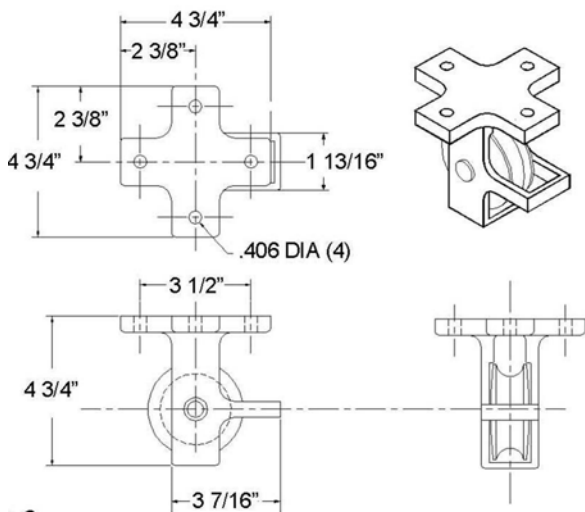


### SS4407-XX (Cable Length) Raising & Lowering (Control) Cable Assembly

- ❖ The system shall utilize a CONTROL CABLE (mechanical raising and lowering cable) made of **type 316 STAINLESS STEEL 5/32-inch diameter 7 x 19 construction cable**. Minimum breaking strength shall be 2400 lbs.
- ❖ One end of the cable shall have a **heavy-duty stainless-steel connector link** with 2 aluminum sleeves crimped onto the cable.
- ❖ The other end of the cable does not have any fitting. It will attach to the **stainless-steel clamp** in the disconnect unit.
- ❖ Cable Length: As Required.

### MARINE GRADE PULLEYS

Various types of pulleys are available and should be designed for exact load and gear box. All pulleys have oilite bronze bearings for maintenance free life. This also insures their use for dirty atmosphere applications. Painted pulleys are available for highly corrosive areas. Pulleys can be spaced 6-30' apart on horizontal runs. A pulley must be used at every 30' of horizontal straight runs. Pulleys are required when vertical or horizontal changes in direction occur. It is important that pulleys are properly aligned. The centerline of the pulley-sheave groove must coincide with the centerline of the cable path when installing. Always take pulley friction into consideration if loads are near limits of the gear box. Pulleys must be installed on rigid surfaces which are able to withstand at least 5 X load of the fixture in all directions. The installation must be approved by others.



**3P-6-MAR**

### 3P-6-MAR For corrosive environments

**Specs:**  
**Load Capacity:** Up to 400 lb Fixtures  
**Frame Material:** 319 Alloy Cast Aluminum (Optional Painted)  
**Sheave:** 319 Alloy Cast Aluminum  
**Bearing:** Oil Bronze bearing  
**Hardware:** 316 Stainless Steel

3P-6-SS pulley can facilitate a change in direction of the cable from wall to ceiling i.e. from vertical to horizontal. 3P-6-SS pulleys should be spaced 6-30' apart on horizontal runs. Change in direction of cable to angles other than 90 degrees is possible. This pulley allows the twisted quick-link to pass through the groove of the sheave. Mounting hardware, by others.

**OPTIONAL:** Powder Coat painted Housing

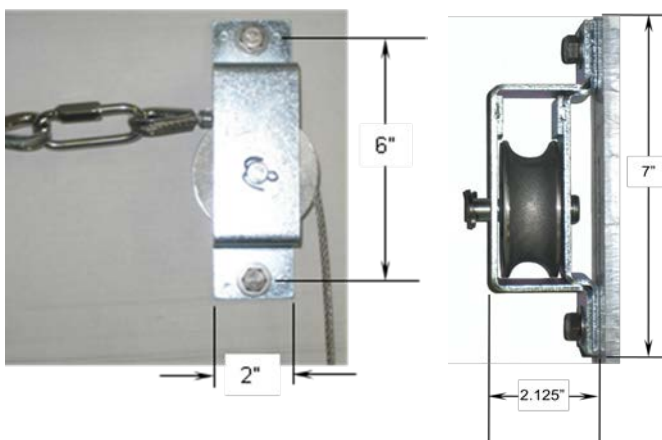
### 3P-7-SS For corrosive environments

**Specs:**  
**Load capacity:** Up to 400 lb. fixtures.  
**Frame Material:** Stainless Steel.  
**Sheave Material:** Cast aluminum  
**Bearing:** Oilite bronze bearing.  
**Hardware:** 316 Stainless Steel

A 3P-7 pulley can facilitate a change in direction of the cable on the same plane i.e. on the ceiling or on the wall. The pulley allows the cable connecting link to pass through.

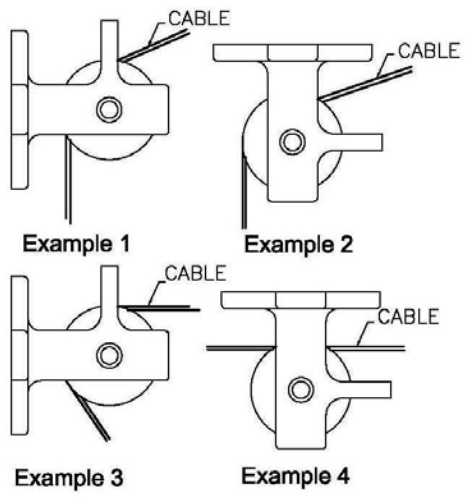
**Mounting:** Two mounting holes for 3/8" bolts. Hardware by others. Type of hardware depends on the type of structure that the pulley is mounted to. Structure must not move while the system is in operation.

**OPTIONAL:** Powder Coat painted Housing



**3P-7-SS**

\*Specifications subject to change without notice.

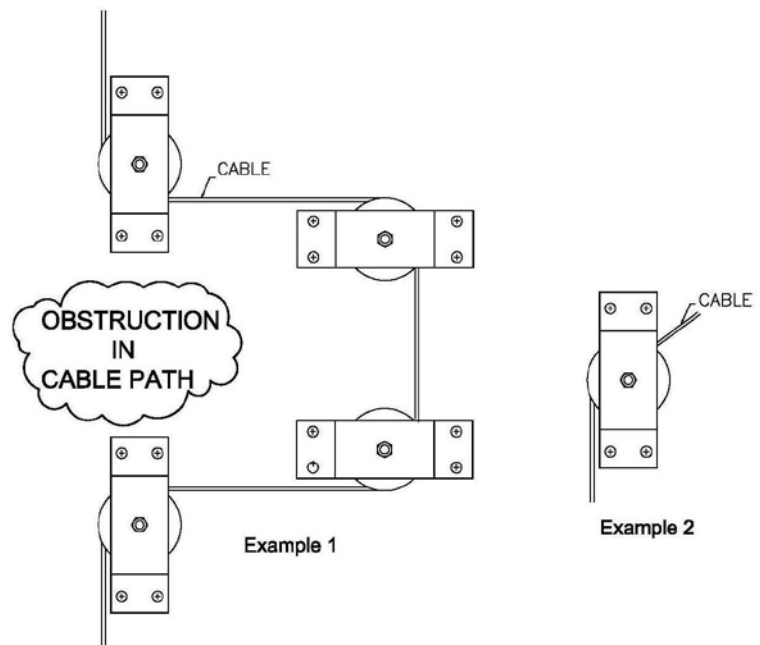


### 3P-6 and 4P-4 Uses

3P-6 and 4P-4 pulleys (depending upon load) can facilitate a change in direction of the cable from wall to ceiling i.e. from vertical to horizontal. These pulleys should be spaced 6-30' apart on horizontal runs. The above examples show that change in direction of cable to angles other than 90 degrees is possible. These pulleys can be placed horizontally (examples 2 and 4), vertically ( examples 1 and 3) and on inclined surfaces for maximum versatility as long as the cable path is aligned to the pulley sheave groove and as long as the cable path is not interfered by any obstacles.

**MAXIMUM FIXTURE LOAD**

400 LBS	3P-6
1100 LBS	4P-4



### 3P-7 and 4P-3 Uses

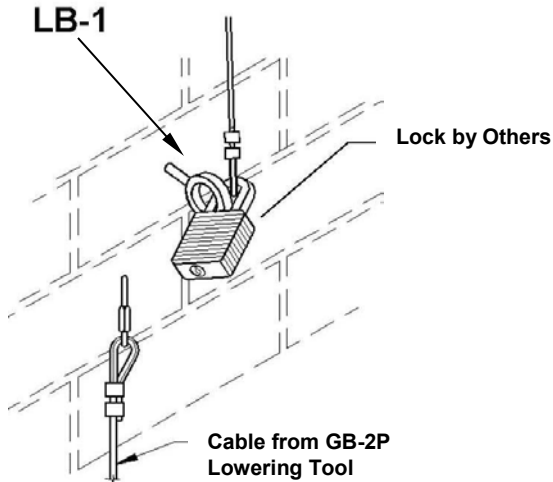
3P-7 and 4P-3 pulleys (depending upon load) can facilitate a change in direction of the cable on the same plane. Example 1 is a simple way using 4 pulleys to go around an obstruction in the cable path. In example 2, the pulley allows the cable to change direction on the same plane.

**MAXIMUM FIXTURE LOAD**

400 LBS	3P-7
1100 LBS	4P-3

\* Specifications subject to change without notice. Details shown are intended as an application example only. Actual installation details may vary. Contact manufacturer's representative or factory for specific details about special installation application or other information. Lifting capacity is 400 lbs and must not be exceeded.





### TERMINATION SYSTEM

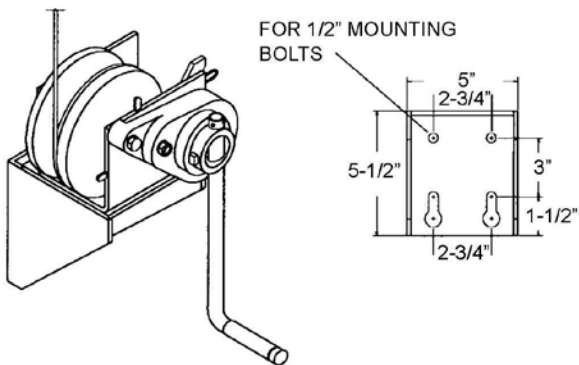
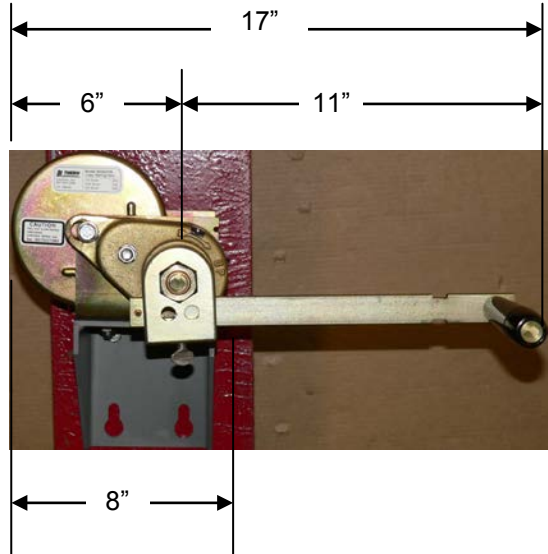
#### Locking Bolt **EYE-1SS**

- Each lowering cable must be terminated in a locking system.
- Two types are available to prevent unauthorized personnel from lowering the fixtures.
- If the lowering cable is mounted indoors and a security locking box is not required, the locking bolt **EYE-1SS** design should be used.
- The **EYE-1SS** eye bolt is made of **Stainless Steel**.
- Cable should be attached to the eyebolt when the cable is not being used to raise and lower the fixture.
- The cable should be locked (lock by others) to the eyebolt, if security is an issue, or the **SLB-3** should be used (see **ECS** system specs).

All gear boxes and lowering tools are of heavy duty design to provide reliability, long life, and ease of operation. They incorporate heat treated gears for maximum durability and strength. All are equipped with a special automatically actuated disc brake for better load holding ability and the prevention of the load free wheeling. They are available for permanent installation or portable use indoors or outdoors for wall mounting or pole mounting. Each system is custom tailored to work with required load and operation for the raising/lowering specifications. "L" shaped mounting bracket is made of heavy duty steel with a STAINLESS STEEL cable drum.

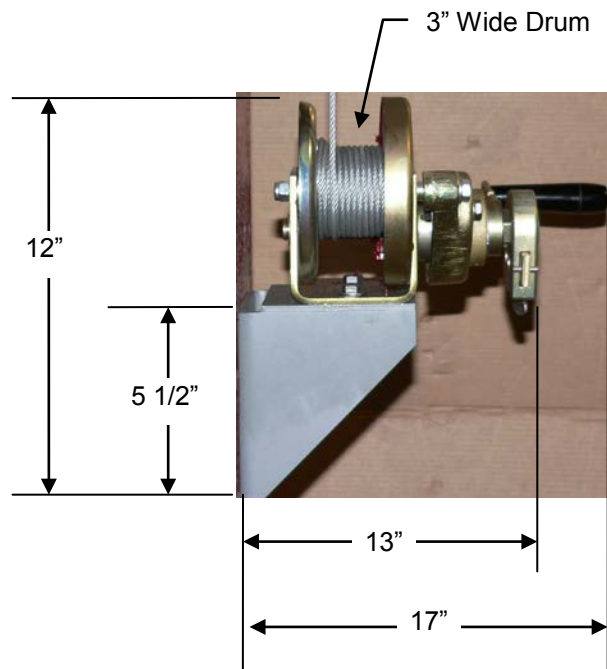


GB-2P's grouped together to save space.



**CATALOG # GB-3SS-P-XX**  
PERMANENT OR PORTABLE  
WALL MOUNTED GEAR BOX FOR  
FIXTURES UP TO 400 LBS.

CAT. #	MIN. LOAD LBS	DRUM CAPACITY	WEIGHT LBS.
GB-3SS-P-X	16	130 FT.	22



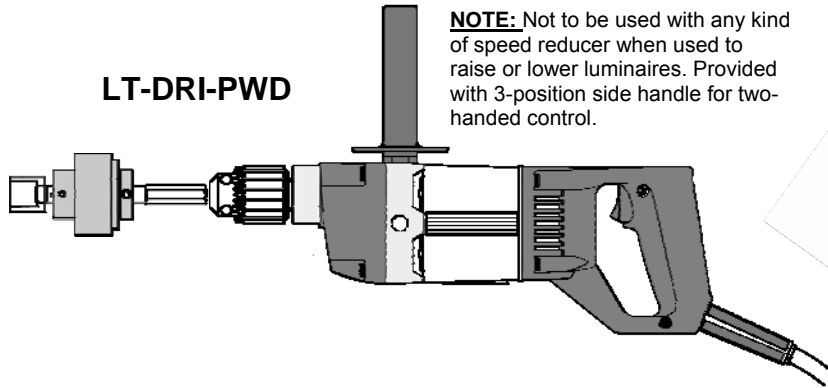
- ◆ All Lighting & Lowering Systems gear boxes and lowering tools are designed for material handling usage only.
- ◆ **STAINLESS Steel 7x19, 5/32" Dia Aircraft Lowering Cable.** ◆ Cable length: Per required.
- ◆ Not for lifting people or things over people.
- ◆ Specifications subject to change without notice.



# LT-DRI-PWD<sup>®</sup> Drill Motor with Clutch and Adapters

## LOWERING CABLE Stainless Steel winch cable

Drills are of heavy-duty design to provide reliability, long life, and ease of operation. They incorporate solid steel heat-treated gears for maximum durability and strength. Drill should be operated at a 300 RPM or slower speed. Operation of drill with our winch at a higher speed will reduce the longevity of the winch break system.



**LT-DRI-PWD**

**NOTE:** Not to be used with any kind of speed reducer when used to raise or lower luminaires. Provided with 3-position side handle for two-handed control.



### Drill Motor Specifications

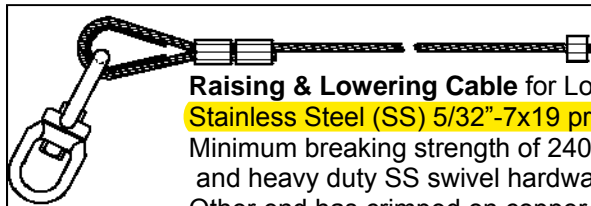
- Drill is 1/2" double insulated, heavy duty, reversible, variable speeds, with 'D' handle.
- Chuck size is 1/2" key chuck with key.
- Electrical-Nom. 5 amp universal motor 115v.AC
- Torque-Develops nominal 170 lbs.-in.
- Speed/HP-.5 H.P.
- Powerful 7 Amp
- Variable speed 0-600 RPM, Reversible
- Gear Train: Triple
- (Note: drill should be operated at a maximum of 300RPM to prevent damage to the winch)
- Overall length is 15-1/8"
- Weight: Approx. 7lbs. 6oz.

### Overload Clutch Specifications

- Lubricated ball indent-totally enclosed-adjustable torque limiting.
- Coil spring type. Varied quantities depending on torque range. Torque range: 60 to 300 lb./in.
- Dimensions of clutch: 1 1/2"Dia., 1 5/8"L. Overall, 8 1/2"L
- Open-end wrench type torque-adjusting nut.
- Snap ring tool included with clutch.
- Clutch weight: 2 lbs.

### Winch/Clutch/Drill Adapter

- Winch drive is 1-1/8" hex socket with 1/2" sq. drive.
- Hub shaft: 1/2" sq. w/spring loaded pin (clutch end).
- Socket shaft: 1/2" sq. w/spring loaded retaining pin.



**Raising & Lowering Cable for Lowering Tool. Made of Stainless Steel (SS) 5/32"-7x19 preformed aircraft cable.** Minimum breaking strength of 2400 lbs. Comes with loop and heavy duty SS swivel hardware cable attachment. Other end has crimped on copper stop.

\* Specifications subject to change without notice.