

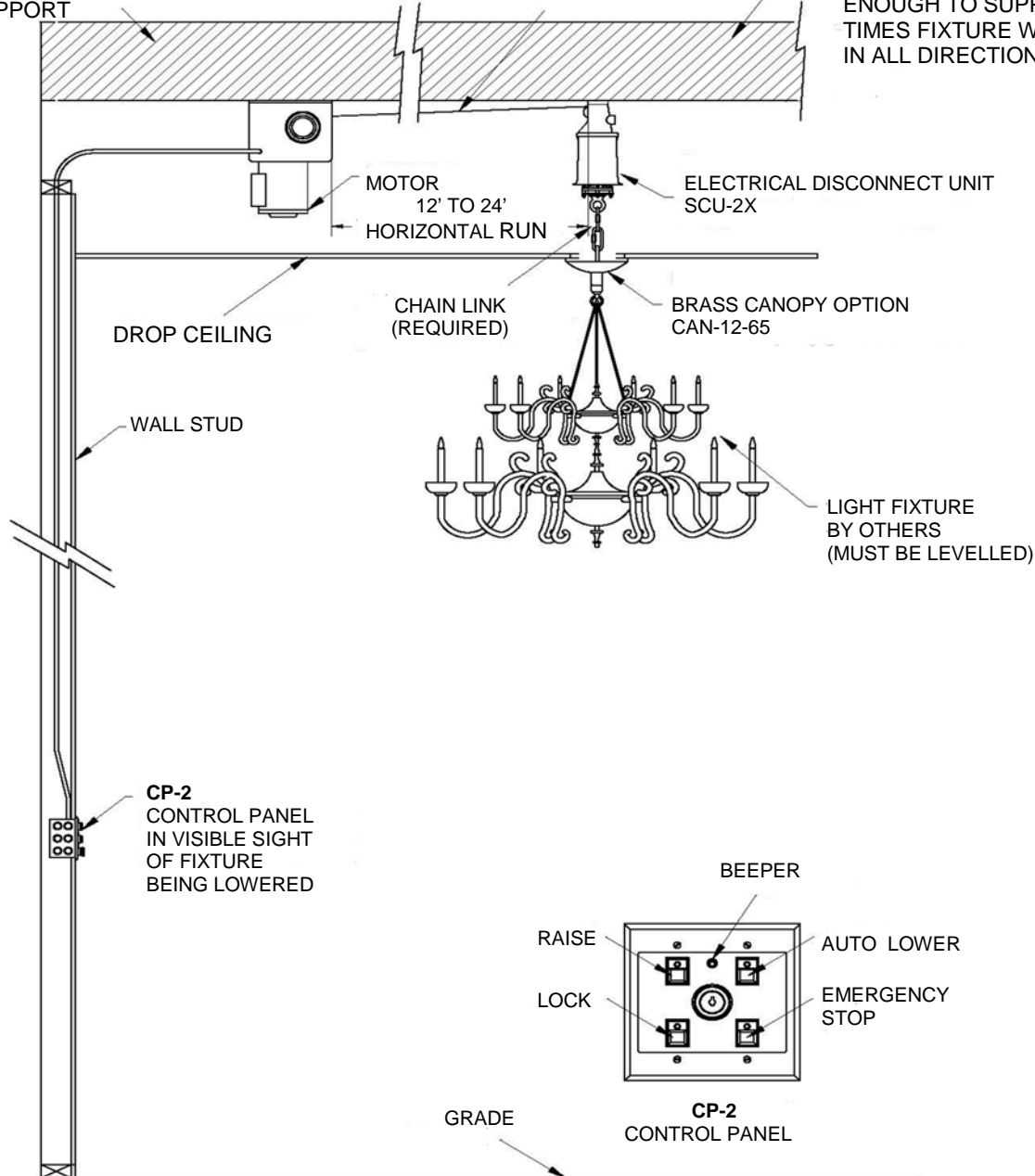
### DROP CEILING SAMPLE LAYOUT FOR FIXTURES WEIGHTING 601 TO 1100 LBS

MOTOR SHOULD BE MOUNTED IN A LOCATION WITH EASY ACCESS.

CABLE PATH AND PULLEY SHOULD BE ALIGNED WITH THE CENTERLINE OF THE CABLE DRUM AND FREE FROM OBSTRUCTIONS

DISCONNECT UNIT SUPPORT MUST BE LEVELLED AND STRONG ENOUGH TO SUPPORT 5 TIMES FIXTURE WEIGHT, IN ALL DIRECTIONS

MOTOR SHOULD BE MOUNTED IN ANY ORIENTATION TO A RIGID STRUCTURAL SUPPORT





# MLS-1100-THX-YY-10C

## BILL OF MATERIAL

MOTORIZED LOWERING SYSTEMS FOR FIXTURE WEIGHT OF 601-1100 LBS		
MLS-1100-TH5-70-10C (5" WIDE DRUM, NEAREST PULLEY/SCU-2X, 7-30FT AWAY)		
MLS-1100-TH8-70-10C (8" WIDE DRUM, NEAREST PULLEY/SCU-2X, 12-30FT AWAY)		
QTY	PART NUMBER	DESCRIPTION
1	SCU-2X	ELECTRICAL DISCONNECT UNIT WITH LOCKING MECHANISM
1	CP-2	CONTROL PANEL WITH BEEPER ASSEMBLY
1	1/4" LOWERING CABLE	CABLE ASSEMBLY (CABLE LENGTH: AS REQUIRED)
MOTOR ASSEMBLY OPTION		
1	TH5	5" WIDE DRUM MOTOR ASSEMBLY (MLS-1100-TH5-70-10C)
1	TH8	8" WIDE DRUM MOTOR ASSEMBLY (MLS-1100-TH8-70-10C)

OPTIONS	
SUFFIX	DESCRIPTION
-YY	ADDITIONAL CABLE LENGTH, STANDARD 70 FEET
-CL	CHAIN LINKS REQUIRED IF NOT PART OF FIXTURE
-CR	CORROSION RESISTANT (contact factory for details)
OPTIONAL MATERIAL AS NEEDED	
CAN-12-65	BRASS CANOPY
CP-8	CONTROL PANEL FOR UP TO 8 SYSTEMS
4P-3	PULLEY
4P-4	PULLEY

All fixtures MUST be hung by at least 4 Chain links or Quick links. Links must be rated for the size and weight of the fixture. They can be purchased thru Lighting & Lowering Systems.

### COMMENTS

The disconnect unit must be mounted to a HORIZONTAL RIGID STRUCTURE. All mounting must be able to withstand static and dynamic loading for at least 5 X weight of the fixture in all directions. This structure must be approved by others. The winch or motor assembly must be placed away from the first pulley or disconnect unit: 7-30ft for TH5, 12-30ft for TH8 motors. A pulley must be used every 2-30' of horizontal straight run. Centerline of pulley groove must be aligned with cable path. Cable path must be free from interference. Please visit our website at [www.lowering-device.com](http://www.lowering-device.com) for specification-sheets if not provided with the quote. If the system is mounted under certain climatic conditions, please inform us. Please provide any other specifications, conditions or special requirements at this time.

Specifications are subject to change without notice.



# MOTORIZED LOWERING SYSTEMS

## Specs for TH5 & TH8 Motor Assemblies

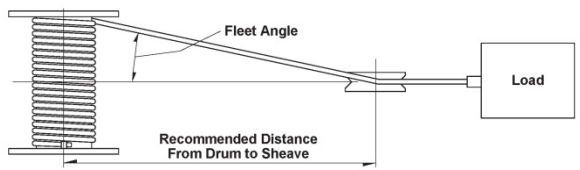
### Specs for TH5 (4WP2) and TH8 (4WP2T8) Worm Gear Power Winch Assemblies

Up to 1100 LB Fixture weight Capacity

- ◆ **115 Bolt Single Phase Electric Motor** includes power cord with grounded plug.
- ◆ **Machine Cut Worm Gears** provide accurate operation and long lasting service.
- ◆ **Enclosed Oil Bath** provides continuous lubrication of gears to minimize wear. Oil seals keep oil in and dirt out.
- ◆ **Internal Mechanical Brake** provides positive load control for lifting and lowering operations.
- ◆ **Ball Bearings** and self-aligning bronze bearings provide smooth and efficient operation.
- ◆ **Pressure Plate** applies pressure to drum and wire rope to help maintain uniform winding.
- ◆ **Mounting Options** include floor, wall, or ceiling.
- ◆ **Two-year Limited Warranty**
- ◆ **Cast Aluminum** construction, for lightweight strength.
- ◆ **Corrosion Resistant** durable paint finish protects against corrosion in harsh environments.
- ◆ **Large Diameter Drums** minimize wear to the wire rope and help extend its life.
- ◆ **Relay Box** includes two heavy duty, 1,000,000 cycle, enclosed (dust-proof) Relay. Also includes Adjustable Current Sensor.
- ◆ **Junction Box** with color coded wire leads for ease of installation and trouble shoot.



Part Number	Motor HP	Load rating (lb)			Wire Rope dia. (in)	Line speed (fpm)		Drum capacity (ft)			approx Ship wt. (lb)
		1 <sup>st</sup> Layer	Mid drum	Full drum		1 <sup>st</sup> layer	Full drum	1 <sup>st</sup> layer	Mid drum	Full drum	
TH5	1.3	2000	1500	1200	1/4	8	13	11	35	70	85
TH8	1.3	2000	1200	800	1/4	8	19	19	110	220	101



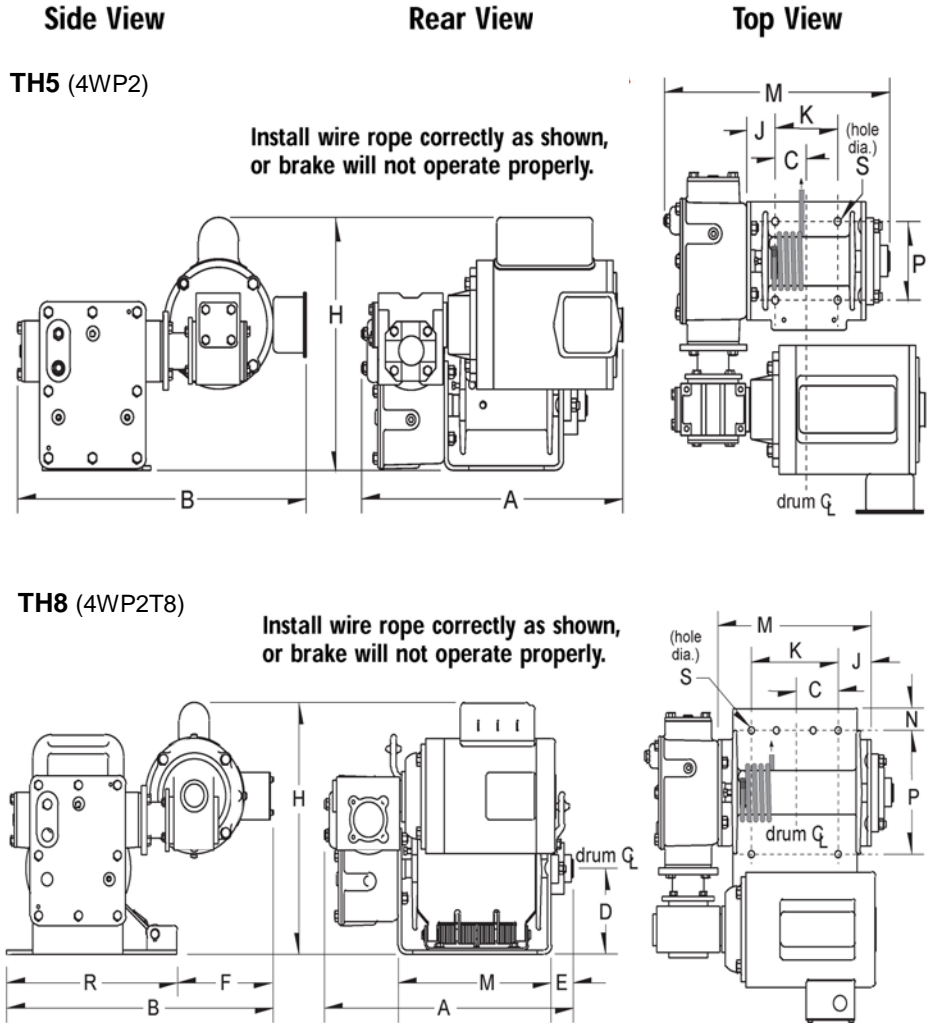
Part Number	Drum diameter	Flange diameter	Drum width	Fleet angle distance
TH5	2.50 in	5.00 in	5.00 in	7 ft
TH8	2.50 in	7.00 in	8.00 in	12 ft

Dimensions are for reference only and subject to change notice. Fleet angle distance is the recommended distance between cable drum and lead sheave or disconnect unit.

Specifications are subject to change without notice.

**IMPORTANT:**

Study all applicable codes, manuals, and regulations. Be sure to read the Installation and Operations Guide before installing and operating.



**Dimensions for the TH5 and TH8 assemblies (in)**

Model	A	B	C	D	E	F	H	J	K	M	N	P	R	S (hole dia.)
TH5	15.63	17.28	1.72	3.50	1.375	9.00	12.84	1.72	3.75	13.50	1.00	4.00	6.50	.41
TH8	15.62	17.80	2.75	4.88	1.44	6.43	14.25	2.25	5.81	10.25	1.25	7.00	11.38	.41

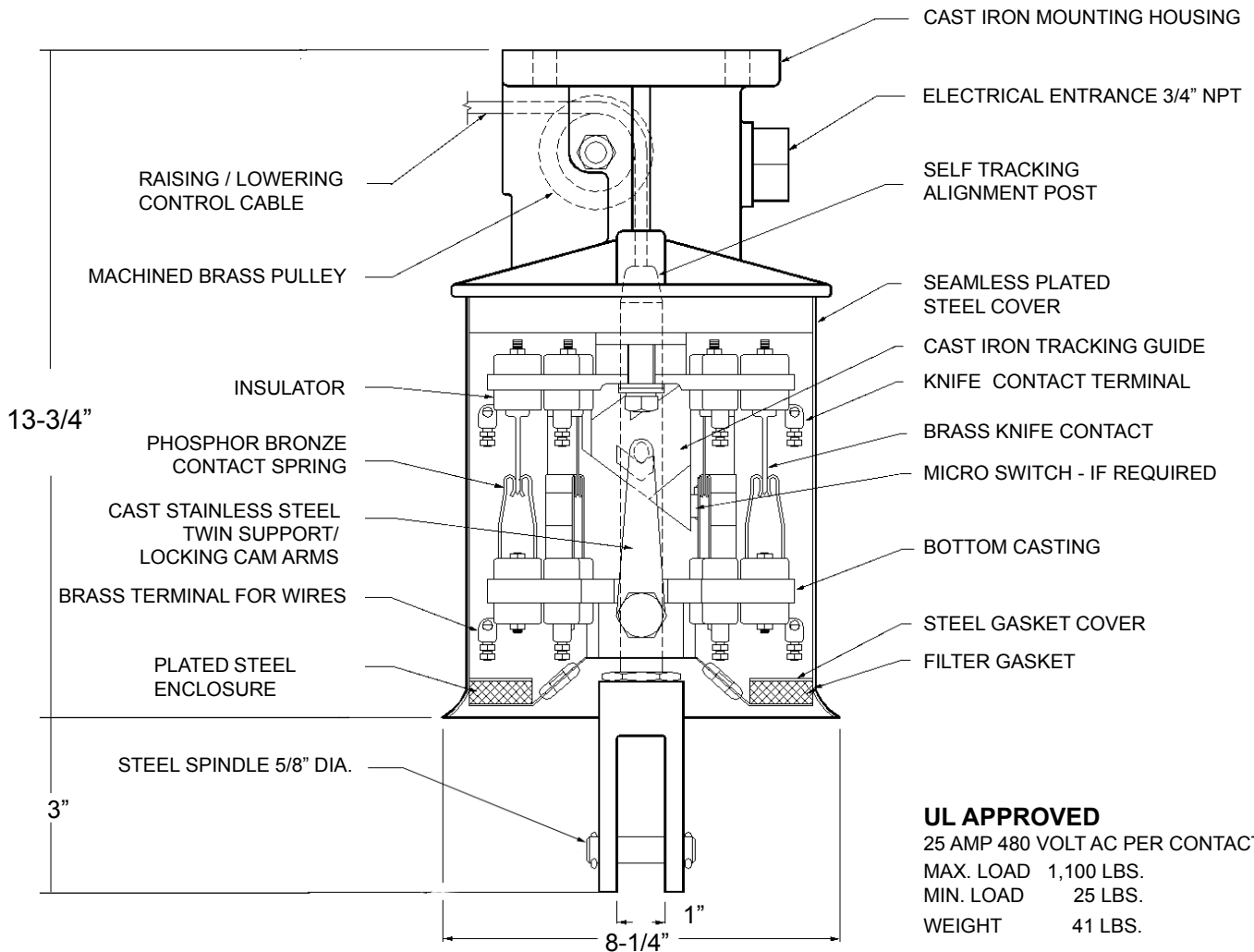
Dimensions are for reference only and subject to change without notice.

Specifications are subject to change without notice.

# SCU-2X DISCONNECT UNIT

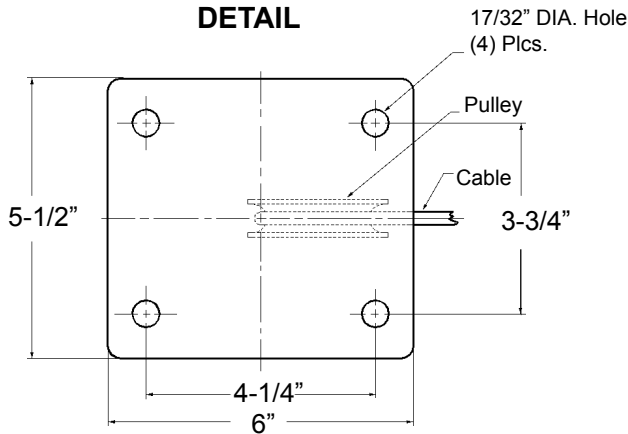
FOR MOUNTING INDOOR LOWERING SYSTEM

Having a flat surface. Load capacity of 1100 lbs. with a safety factor of 4 to 1. Ten contacts plus ground



**UL APPROVED**  
 25 AMP 480 VOLT AC PER CONTACT  
 MAX. LOAD 1,100 LBS.  
 MIN. LOAD 25 LBS.  
 WEIGHT 41 LBS.

### TOP MOUNTING DETAIL



OPTION	CATALOG NUMBER
POLISHED BRASS SELF ADJUSTING CANOPY	CAN-12-65

All steel and cast iron surfaces are provided with protective finishes. Gasket material provides an air filtering system within the electrical contact chamber for preventing dust and moisture contamination resistance. All contact systems feature self cleaning contacts. Raising and lowering systems available with manual or motorized operation. SCU-2X for indoor use only

*Specifications subject to change without notice.*

## LOWERING CABLE SPECIFICATIONS

Comp. A-Carbon Steel Zinc Coated (Standard).

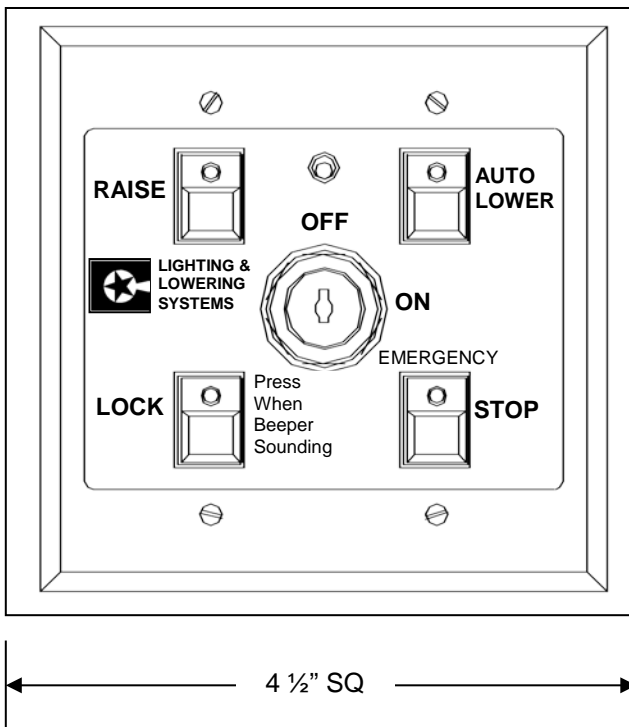
Comp. B-Corrosion Resistant Stainless Steel (Optional).

MLS Assembly	Nominal Diameter Of Wire Rope	Construction	Minimum Breaking Strength Comp. A	Minimum Breaking Strength Comp. B	Maximum Fixture Weight (lbs)	Cable Weight Per 1000 Feet (lbs.)
MLS-400	3/16"	7x19	4,200	3,700	600	65.0
MLS-600 MLS-1100	1/4"	7x19	7,000	6,000	1100	110.0



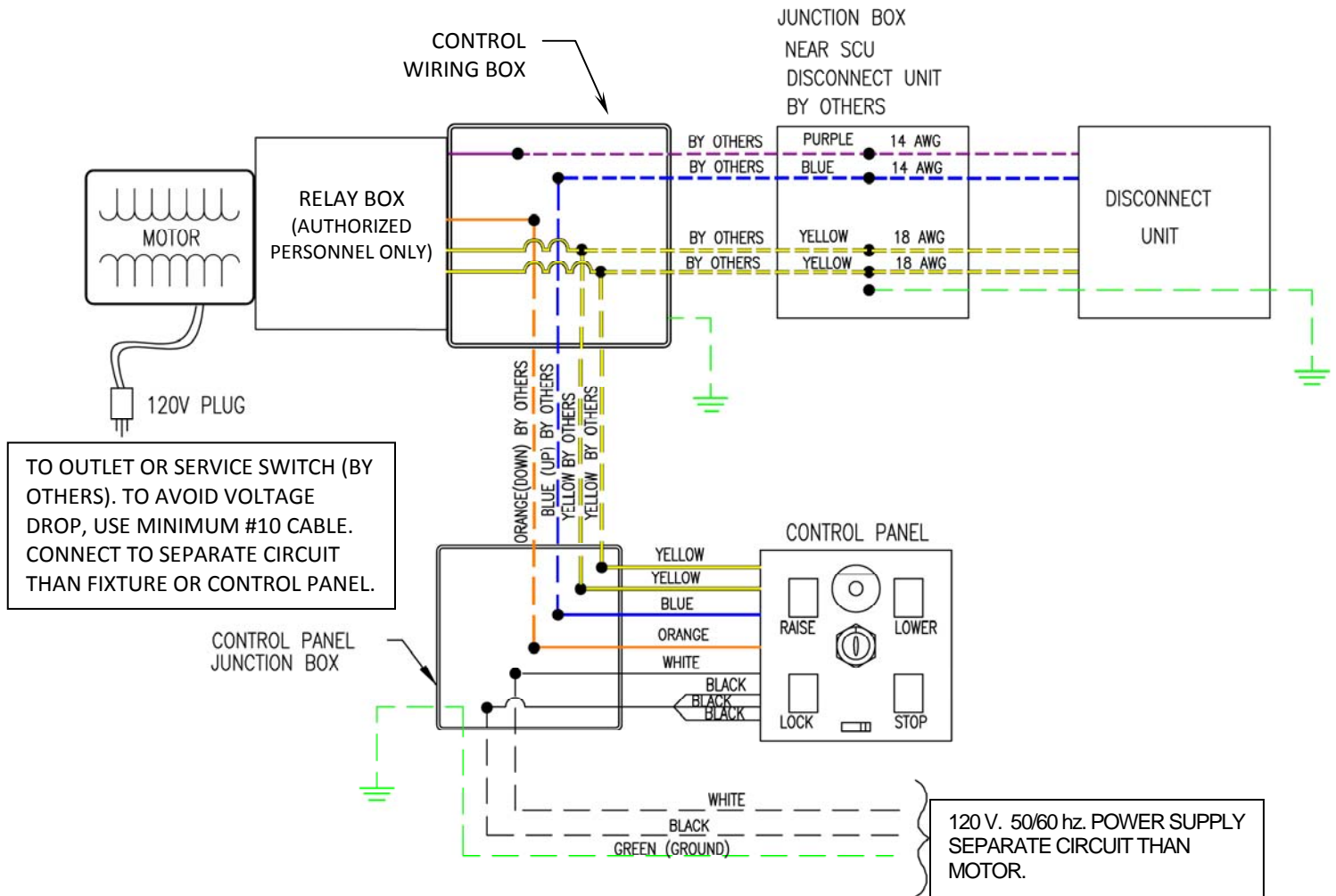
Cable is cut to size at the factory. Notify factory (or Sales Rep) of cable length before ordering.

## SPECIFICATIONS FOR CP-2 CONTROL PANEL



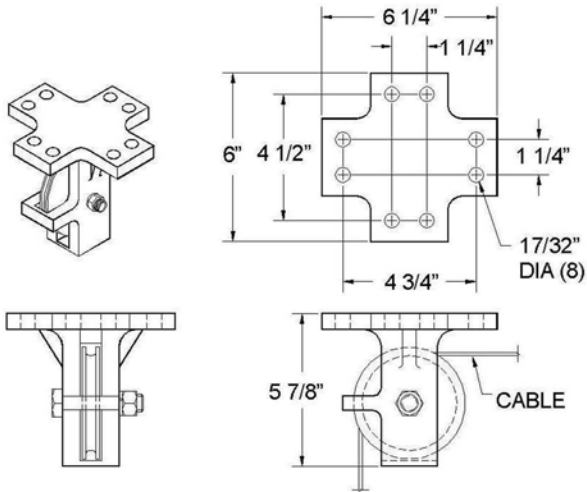
- ◆ Computerized panel. Programmable lowering distance .
- ◆ "TEACH" switch on front panel in back of wall plate allows for easy programming of Control Panel.
- ◆ Key lock power ON/OFF switch.
- ◆ Connection Box: 4" Square Double Deep (3 1/4 ") box provided.
- ◆ The Connection Box comes with 1/2" & 3/4" comb. knockouts.
- ◆ 4 1/2" Square White Wall Plate Cover provided.
- ◆ Operating Voltage: 105V-135V AC 50/60 Hz @ 1/4 ampere. Motor current is separate. See motor specs.
- ◆ Buttons: Momentary switches with LED lights.
- ◆ Equipped with Beeper to indicate when fixture has reached the top.
- ◆ "LOCK" button (feature) assures operator that system is mechanically locked. When locked, cable is slack and power to the motor is off.

\* All specifications subject to change without notice



Factory provides color coded insulated wire leads coming out of the control panel, the disconnect unit, and the motor control wiring box. All 14 AWG wire leads are for 120 V. power. Motor and CP-2 control panel operate off of 120 Volt unless otherwise noted. To avoid voltage drop, use proper size cable in between **disconnect unit**, **motor**, and **control panel**. **Due to the motor amp rating, Motor should be on a separate circuit than the fixture and the control panel.** Electrical wire for the fixture is separate. Electrical circuit for the light fixture must be on a different circuit than for the motor. All electrical wires and conduits between the disconnect unit, motor, and the control panel, are provided by others. **Contractor should maintain same color codes for ease of installation, maintenance, and continuity check.**

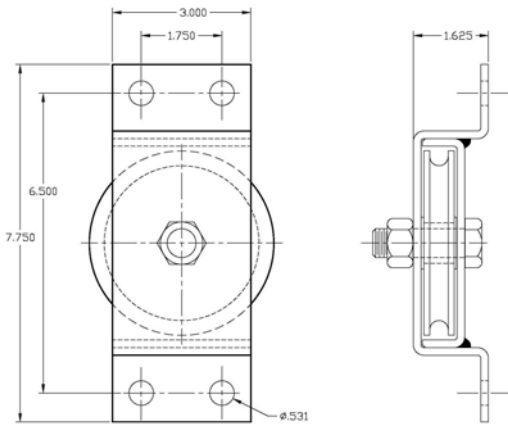
\* Specifications subject to change without notice. Details shown are intended as an application example only. Actual installation details may vary. Contact manufacturer's representative or factory for specific details about special installation application or other information.



**4P-4**

**4P-4**

Load capacity for a 4P-4 pulley is 400-1100 lbs. A 4P-4 pulley can facilitate a change in direction of the cable from wall to ceiling i.e. from vertical to horizontal. 4P-4 pulleys should be spaced 6-30' apart on horizontal runs. Change in direction of cable to angles other than 90 degrees is possible. See page p3 for details.



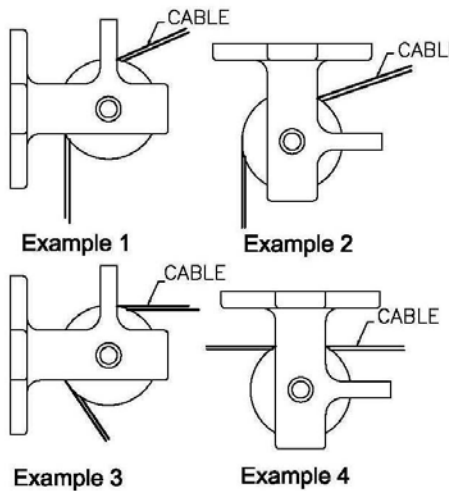
**4P-3**

**4P-3**

Load capacity for a 4P-3 pulley is 400-1100 lbs. A 4P-3 pulley can facilitate a change in direction of the cable on the same plane. See page p3 for examples on uses of 4P-3 pulley. Corrosion resistant zinc plating.

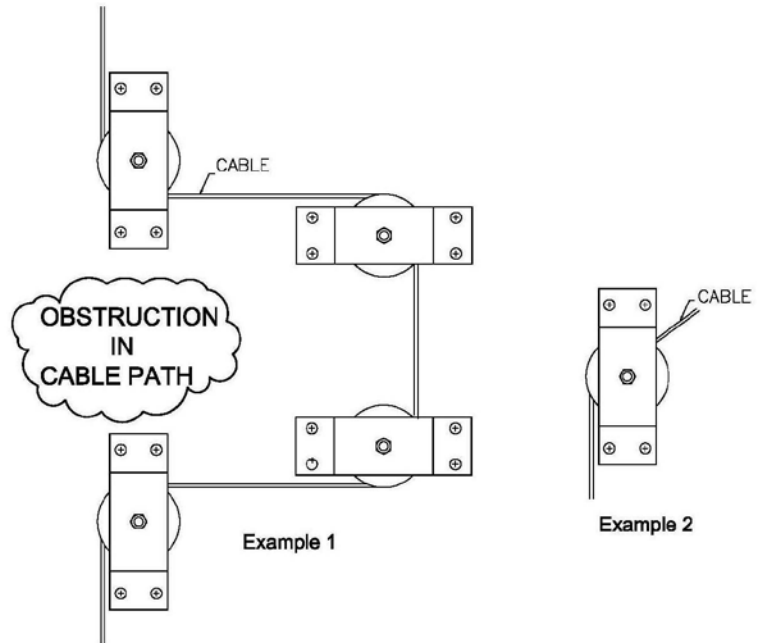
\* Specifications subject to change without notice.





### 4P-4 Uses

4P-4 pulley can facilitate a change in direction of the cable from wall to ceiling i.e. from vertical to horizontal. These pulleys should be spaced 3-30' apart on horizontal runs. The above examples show that change in direction of cable to angles other than 90 degrees is possible. These pulleys can be placed horizontally (examples 2 and 4), vertically (examples 1 and 3) and on inclined surfaces for maximum versatility as long as the cable path is aligned to the pulley sheave groove and as long as the cable path is not interfered by any obstacles.



### 4P-3 Uses

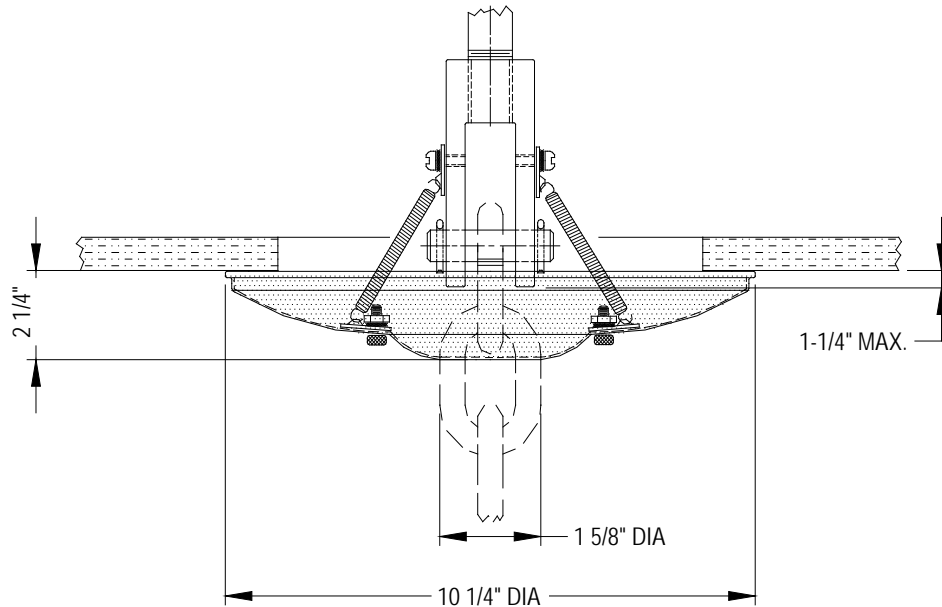
4P-3 pulley can facilitate a change in direction of the cable on the same plane.

**Example 1** is a simple way using 4 pulleys to go around an obstruction in the cable path.

**Example 2** shows cable changing direction on the same plane as the mounting surface.

\* Specifications subject to change without notice.

### CAN-12-65: Canopy assembly



<b>DEFINITION:</b>	Spring loaded Canopy used with <b>SCU-2X</b> Disconnect Unit.
<b>DIMENSION:</b>	10 1/4" Diameter by 2 1/4" Depth.
<b>MATERIAL:</b>	Brass
<b>FINISH:</b>	Polished Bright Brass
<b>SPRINGS:</b>	Two Springs at 180° extends when unit is unlocked, and compresses to ceiling when fixture is in the locked position.
<b>CEILING:</b>	Opening should be from 8" to 8 1/2".

- \* Wiring from the locking contact mechanism to the chandelier support chains, connecting links, and chandeliers with related hardware are provided by others.
- \* All specifications subject to change without notice.